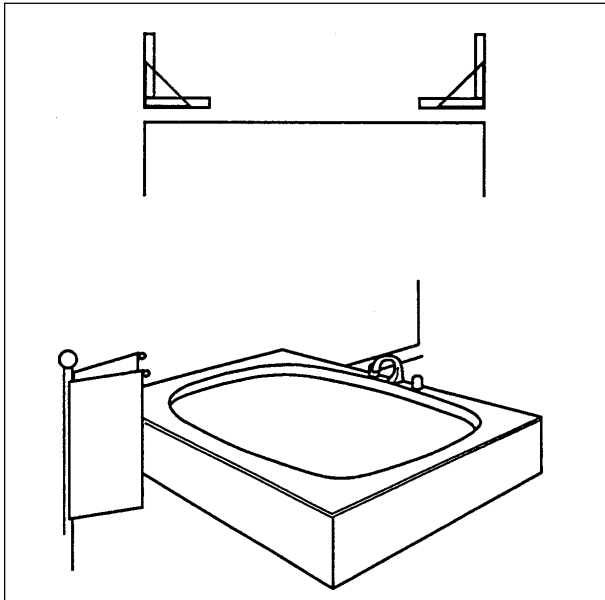


panel but not to the fixed panel. The apron and the outside corner can be removed with a suction cup or a household plunger.

4. Make wooden supports for the skirts at the corners and secure them to the floor. If the tub has a step, build a wooden framework. Cut and fit the aprons and steps.

Note: If the tub has a whirlpool system, test the system thoroughly for operation and leaks before installing skirt.



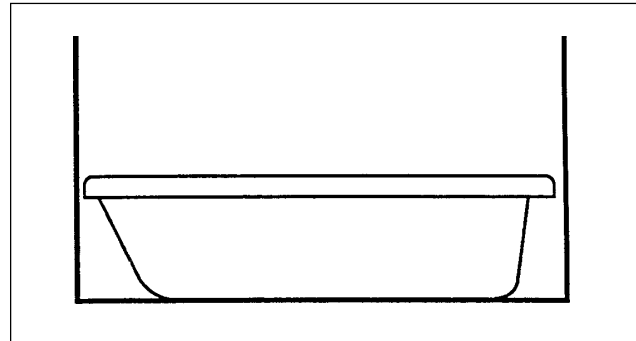
Free Standing Bathtub

B. Bathtub Between Two Walls

(Tub-Shower Combination)

1. Cut ends of the tub to fit the opening if required. Tub may have raised water dam on three sides. The tub should fit the opening and the water dam should be against the studs. The drywall should not come into contact with the tub deck. Drywall should stop on top of the raised water dam, if the dam is present.
2. Make sure the tub is level with shims under joists (as before). Draw lines on walls and attach furring strips to the walls. Do not allow these strips to support the tub; the weight of tub should be on the floor.
3. Mix mortar as before. Remove the tub and place polyethylene film on floor and mortar. Wriggle tub down on shims until it is level.
4. To install wall panels, see booklet, "How To Install a Cast Polymer Wall Set."
5. Install front skirt as described previously. If the tub has a whirlpool system, thoroughly test the system for operation and leaks before installing the skirt.

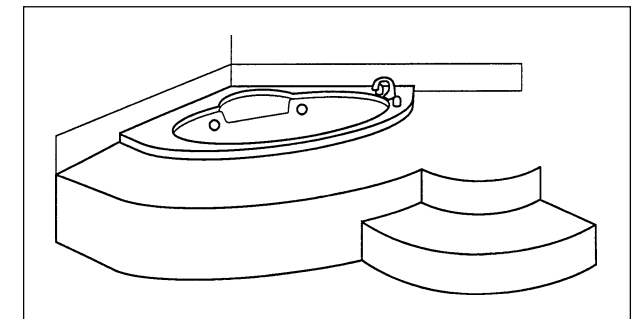
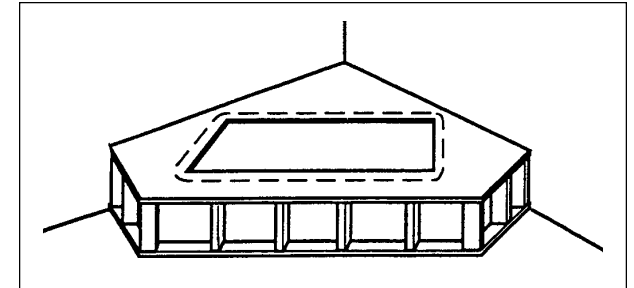
See ICPA booklet "How To Install a Cast Polymer Whirlpool Bathtub" for testing procedures.



Bathtub Between Two Walls

C. Installation of a Tub in a Deck

1. Build the frame with 2 x 4's. Design it so that it will support the weight of the deck; the weight of the tub should be supported by the floor. Do not use the deck to support the weight of the tub.
2. Install the deck. The tub should overlap the hole as much as two inches on all sides if possible. The inside corners of the hole should be rounded to prevent stress cracking.
3. Calculate the gap between the bottom of the tub and the floor. Mix enough mortar to fill the gap. Spread mortar on the floor and cover it with polyethylene. Place shims around the deck opening (popsicle sticks 2-3 high) to support the tub while the mortar is drying.
4. Place the tub on mortar and wriggle down to shims.



Installation of a Tub in a Deck

How to install

A Cast Polymer Bathtub

A. Free standing bathtub

A free standing bathtub is a tub in the middle of the room or a tub with only one side against a wall.

1. Set tub in place and make sure it is level. Shims should be on floor joists and not between them. Nail or glue the shims to the floor. Mix just enough mortar for the tub to be level. Place a piece of polyethylene on the floor where the tub will rest. Place mortar on the floor, and cover it with a piece of polyethylene. Set tub in place and wriggle it around until the mortar levels out. Tub should be resting on shims until mortar mix dries.
2. For the apron or skirt on the end of the tub that is not designed to be a removable access panel, secure wooden supports for the skirts at the corners. Cut and fit the skirt, and glue it in place. At the corner where the two skirts meet, a butt joint may be used or the joint may be covered with an outside corner molding.
3. For the front apron of the tub, build supports using something that will be able to be attached to the floor and secure the apron (suggest 2 x 4's or 2 x 2's). This is particularly important if the apron is to be used as the access panel. To stiffen the apron panel in the middle, glue a piece of wood to the apron. Clamp it to the apron and allow it to dry. For a six foot tub there should be a minimum of four supports (three supports for a five foot tub). Attach a velcro strip to the wood using drywall nails that have big heads. Clean the marble panel with acetone or alcohol. Attach the velcro strip to the marble panel and put it in place. The joint at the corner where the two skirts meet can be covered with a piece of outside corner trim. This trim should be glued to the removable



How to install

A Cast Polymer Bathtub

What is Cast Polymer?

Cast polymer is the umbrella term which includes cultured marble, cultured granite, and cultured onyx and solid surface variety products. Cast polymer products are made by chemically bonding mineral fillers with resins to create a matrix, which is molded and hardened to a solid material in a variety of shapes that meet diverse design needs. It is more durable than porcelain, resists mildew and stains and is easily cleaned with non-abrasive cleaning agents.

